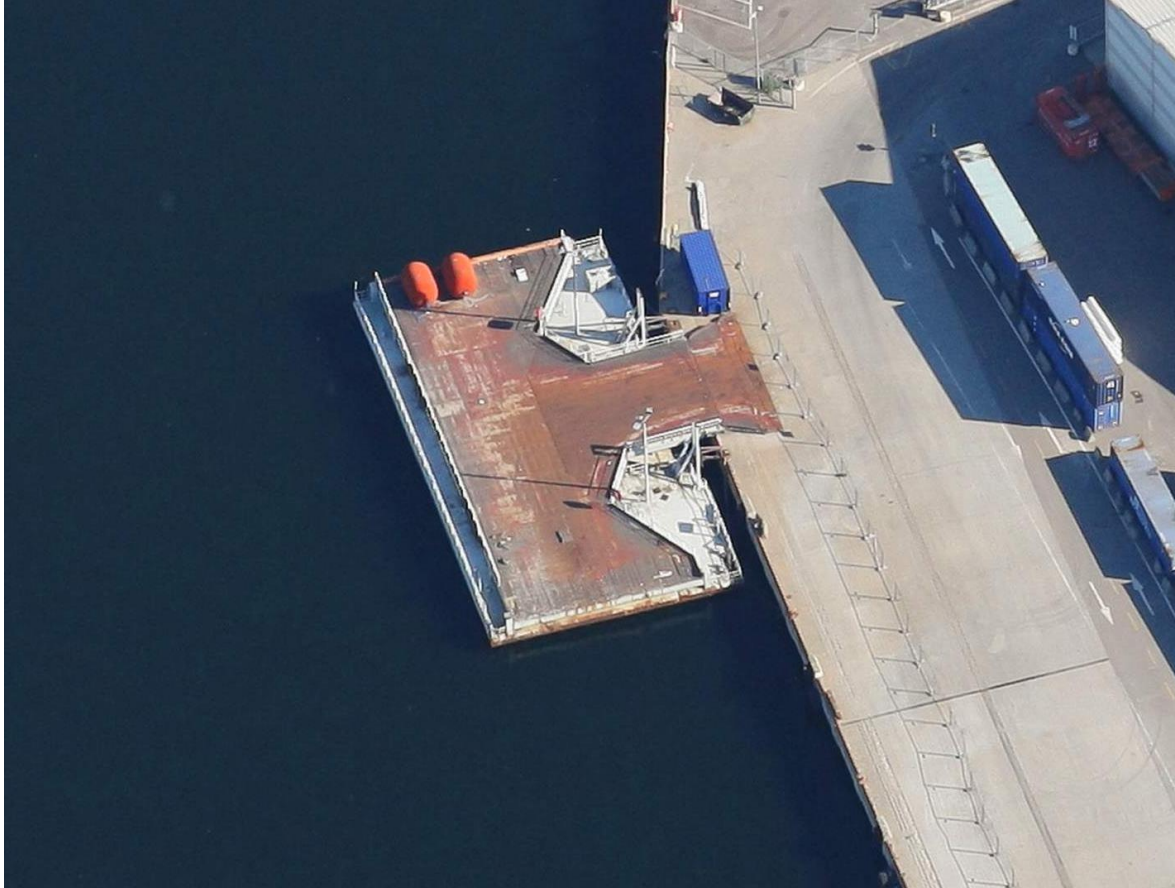


# FFS PONTON 8

RoRo ramp/Deck storage base



---

*Suitable for RoRo – Cargo transfer – temporary quay solution - Accommodation units – work-shop etc.*

---



**Farsund Fortøyningselskap AS**

**Office ph.: +47 38 39 12 29**

**Mail: mail@ffs-as.com - chartering@ffs-as.com**

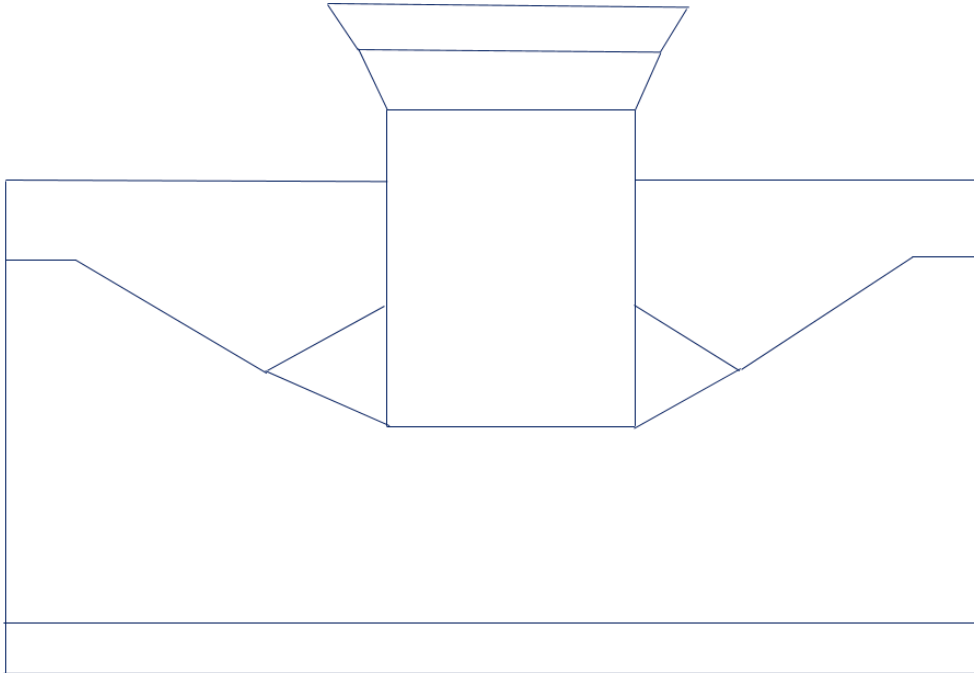
**Visit: Strandgaten 16, Farsund, Norway**

**Postal: P.B 126, NO-4552 Farsund**

**www.ffa-as.com**

## Link Span RoRo unit

# FFS PONTON 8



### **General**

Type of vessel	Non Propelled RoRo ramp link span
Year built	1980
Flag state	NOR
Port of registry	FARSUND
IMO Number	-----

### **Dimensions**

Length	40,0m
Beam	20,0m
Light Draft	0,90m

### **Cargo Capabilities**

Ramp min 10 meter wide	
MDWT	300 t
Max axel load forklift	68 t

### **Mooring and towing equipment.**

Towing arr: 2 x towing brackets  
Bollards: 4 Bollards each side vertical  
Fenders: Rubber tires outside for ship mooring alongside.



**Farsund Fortøyningselskap AS**  
Office ph.: +47 38 39 12 29  
Mail: mail@ffs-as.com - chartering@ffs-as.com  
Visit: Strandgaten 16, Farsund, Norway  
Postal: P.B 126, NO-4552 Farsund

[www.ffa-as.com](http://www.ffa-as.com)