

1000L Offal Bin

Nestable ¹
Stacks Full ²
Forklift Rotatable ³

Design Strength:

- **Tough LDPE - 10mm thickness**
- **Box Section Top Rim**
(no open edge to crack from)
- **¹Continuous Nesting Rim**
(less wall flex and more strength)

FDA Approved Food Grade LDPE

Mould In Graphics

(company + numbering options)

Single Skin or ²Twin Skin Stackable Lid



65mm Drainage Bung

³Galv Steel Fork Insert option

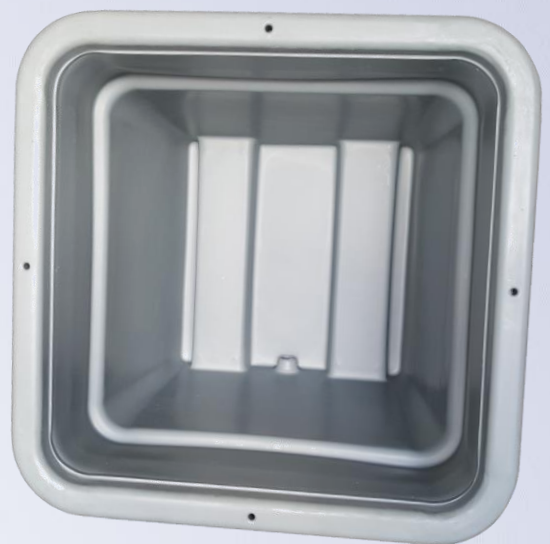
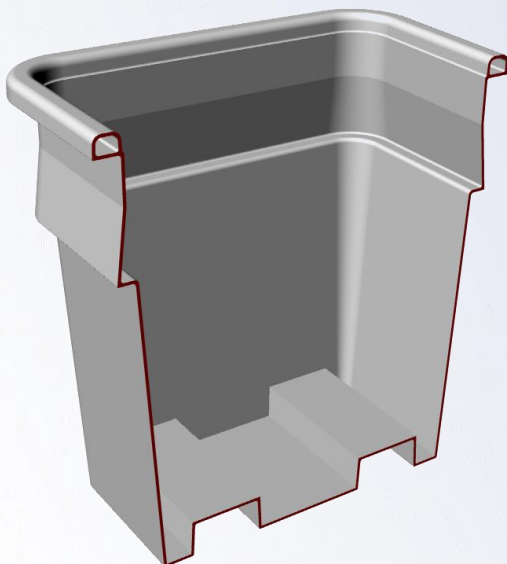
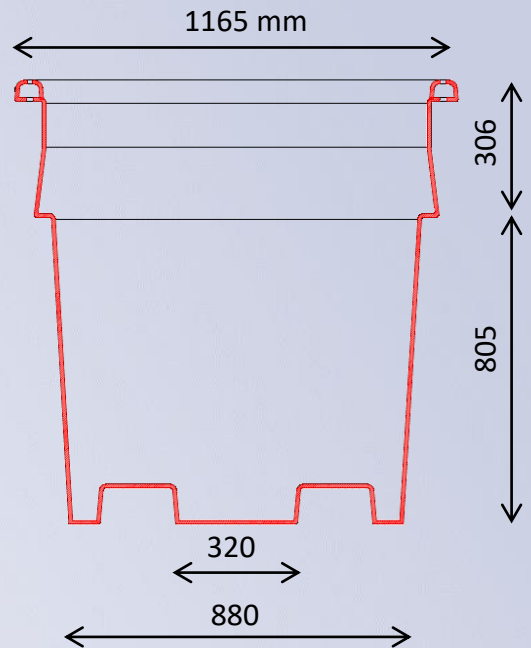
[Full Specifications on Page 2 below](#)



Designed and manufactured in New Zealand

1000L Offal Bin

Code	BN245
Volume	1000L
Height	1165 mm
Top Rim	1165 x 1165 mm
Base	880 x 880 mm
Wall Thickness	10mm
Material	LDPE



Contact us to discuss the best bin for you