

OVERVIEW:

The PHS-H can be used in applications where a very accurate probe positioning is required, such as for insertion devices, undulators, etc. The Hall probe is firmly fixed in a ceramic plate providing for a very well defined position of the probe.

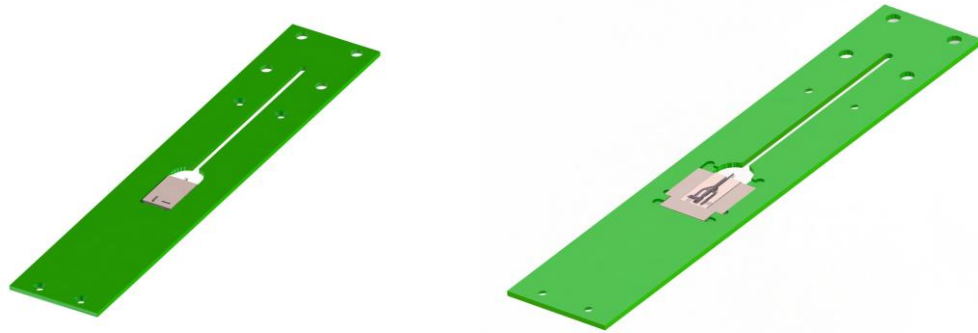


Figure 1. Top and bottom view of the SENIS Probe Holder PHS-H

DIMENSIONS:

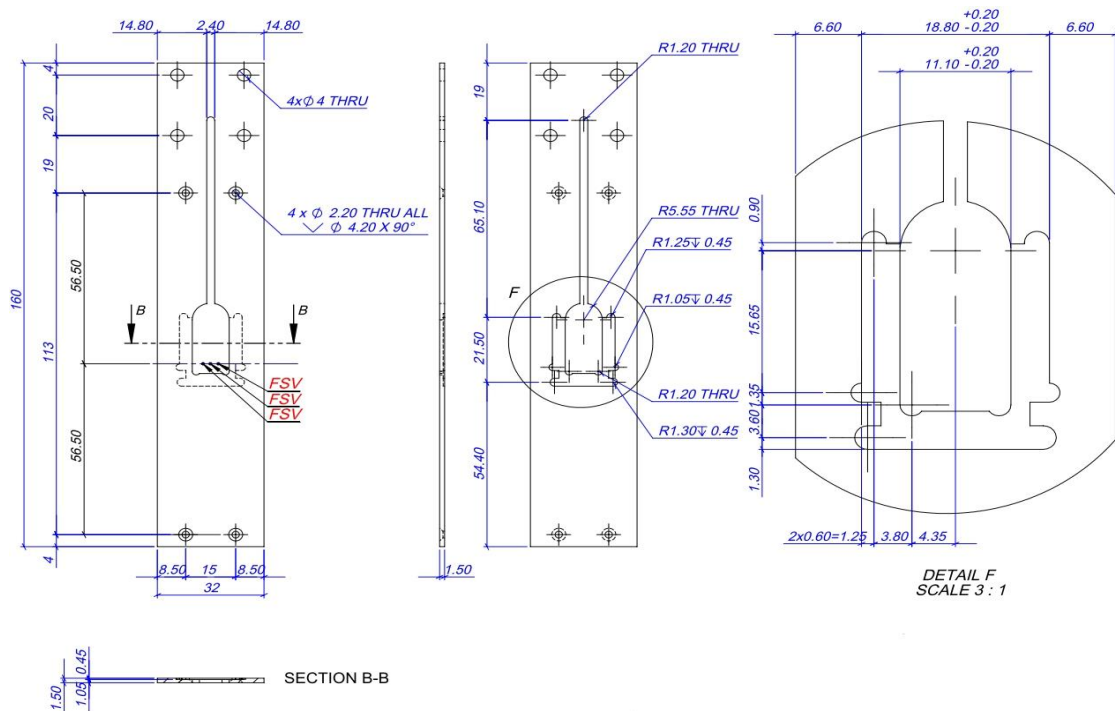


Figure 2. Dimensions of the SENIS Probe Holder PHS-H