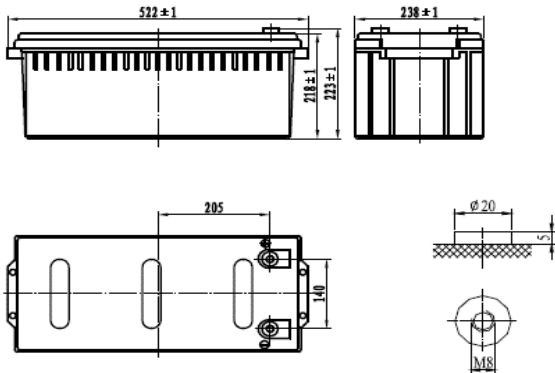


# RPower OGiV122000LP (12V 200Ah AGM Battery)

Floating Life at 20°C designed for 10-12 years

EAN: 4260349823470

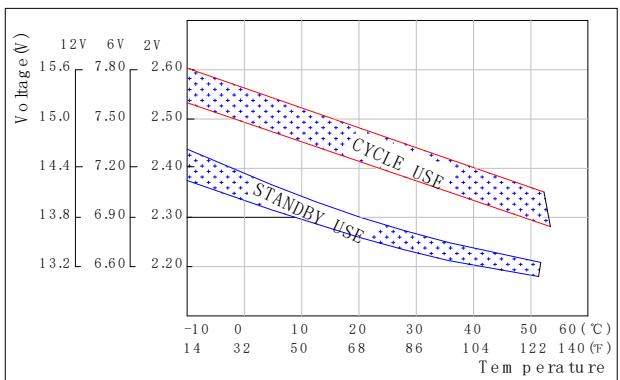
## Dimensions



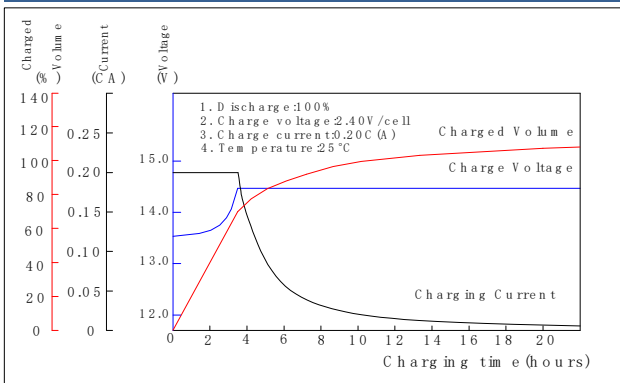
## Specifications

Nominal Voltage	12V	
Capacity (10hr@25°C@1.75V/C)	202Ah	
Dimensions	Length	522mm (20.6inch)
	Width	238mm (9.37inch)
	Height	218mm (8.58inch)
	Total Height	223mm (8.78inch)
Approx. Weight	67.50kg (148.8lbs)	
Maximum charging current	60.0A	
Maximum discharge current	1.300A (5sec.)	
Internal resistance	Approx. 2.2mΩ	
Capacity affected by temperature (20hr)	40°C	103%
	25°C	100%
	0°C	86%
	-15°C	65%
Self-discharge (25°C)	3 month	Remaining Capacity: 91%
	6 month	Remaining Capacity: 82%
	12 month	Remaining Capacity: 65%
Nominal operating temperature	25°C ±3°C (77°F±5°F)	
Operating temperature range	-20°C~55°C (-4°F~131°F)	
Float charging voltage (25°C)	13.65 to 13.80V	
Cyclic charging voltage (25°C)	14.40 to 15.00V	
Terminal material	Copper	

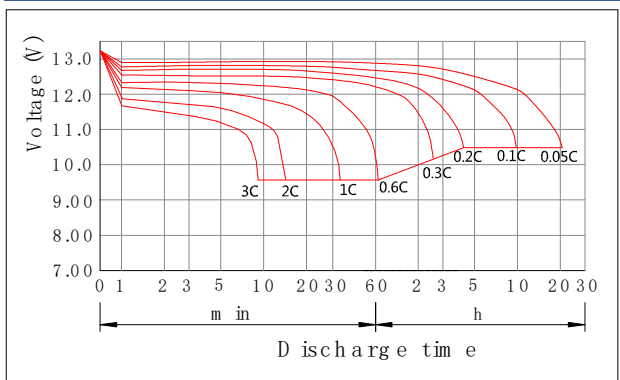
## The Relationship for Charging Voltage and Temperature



## Charging Characteristics (25°C)



## Discharge Characteristics (25°C)



## Constant Current Discharge Characteristics (Ampere / Battery, 25°C)

FV / TIME	5min	10min	15min	20min	30min	45min	1h	2h	3h	4h	5h	6h	8h	10h	20h
10.98V	480,15	408,37	340,47	283,24	226,01	166,84	131,92	73,72	54,32	42,39	35,21	29,88	23,28	19,30	10,13
10.80V	495,00	421,00	351,00	292,00	233,00	172,00	136,00	76,00	56,00	43,70	36,30	30,80	24,00	19,90	10,44
10.50V	517,00	437,00	364,00	301,00	239,00	176,00	139,00	77,60	57,10	44,50	37,00	31,40	24,40	20,20	10,60
10.20V	555,00	466,00	386,00	320,00	254,00	187,00	146,00	81,50	59,90	46,70	38,70	32,80	25,50	21,10	11,07
9.90V	592,00	494,00	408,00	338,00	268,00	197,00	154,00	85,50	62,70	48,80	40,40	34,30	26,60	22,00	11,55
9.60V	630,00	523,00	431,00	357,00	283,00	207,00	161,00	89,40	65,50	50,90	42,10	35,70	27,60	22,80	11,97

## Constant Power Discharge Characteristics (Watt / Battery, 25°C)

FV / TIME	5min	10min	15min	20min	30min	45min	1h	2h	3h	4h	5h	6h	8h	10h	20h
10.98V	5313,66	4405,74	3666,60	3055,50	2444,40	1792,56	1449,18	849,72	646,02	512,74	432,43	369,57	291,00	243,86	127,40
10.80V	5478,00	4542,00	3780,00	3150,00	2520,00	1848,00	1494,00	876,00	666,00	528,60	445,80	381,00	300,00	251,40	131,34
10.50V	5760,00	4740,00	3936,00	3276,00	2616,00	1914,00	1542,00	900,00	684,00	541,80	456,60	390,00	306,60	256,80	134,22
10.20V	6042,00	4944,00	4086,00	3402,00	2712,00	1974,00	1590,00	924,00	702,00	555,60	468,00	399,60	313,80	262,20	137,04
9.90V	6318,00	5142,00	4242,00	3522,00	2802,00	2040,00	1632,00	948,00	720,00	569,40	478,80	408,60	320,40	267,60	139,86
9.60V	6600,00	5340,00	4398,00	3648,00	2898,00	2100,00	1680,00	972,00	738,00	583,20	490,20	417,60	327,00	273,00	142,68

Version: 2015-09