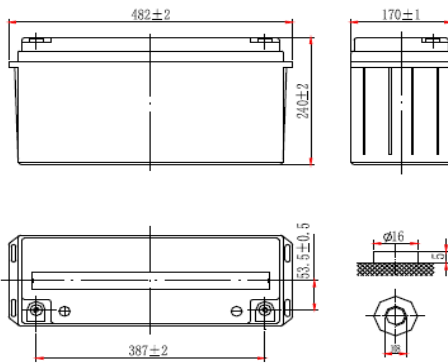


RPower OGiV121500LP (12V 150Ah AGM Battery)

Floating Life at 20°C designed for 10-12 years

EAN: 4260349823463

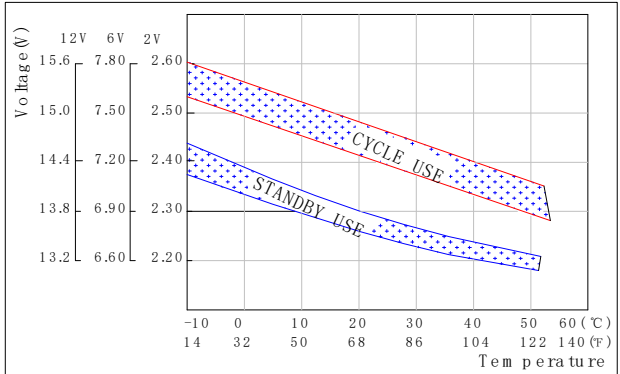
Dimensions



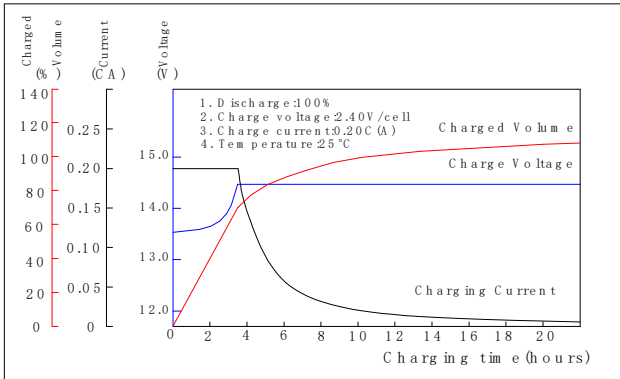
Specifications

Nominal Voltage	12V	
Capacity (10hr@25°C@1.80V/C)	150Ah	
Dimensions	Length	482mm (19.0inch)
	Width	170mm (6.69inch)
	Height	240mm (9.45inch)
	Total Height	240mm (9.45inch)
Approx. Weight	44.80kg (98.77lbs)	
Maximum charging current	45.0A	
Maximum discharge current	970A (5sec.)	
Internal resistance	Approx. 3.1mΩ	
Capacity affected by temperature (20hr)	40°C	103%
	25°C	100%
	0°C	86%
	-15°C	65%
Self-discharge (25°C)	3 month	Remaining Capacity: 91%
	6 month	Remaining Capacity: 82%
	12 month	Remaining Capacity: 65%
Nominal operating temperature	25°C ±3°C (77°F±5°F)	
Operating temperature range	-20°C~55°C (-4°F~131°F)	
Float charging voltage (25°C)	13.65 to 13.80V	
Cyclic charging voltage (25°C)	14.40 to 15.00V	
Terminal material	Copper	

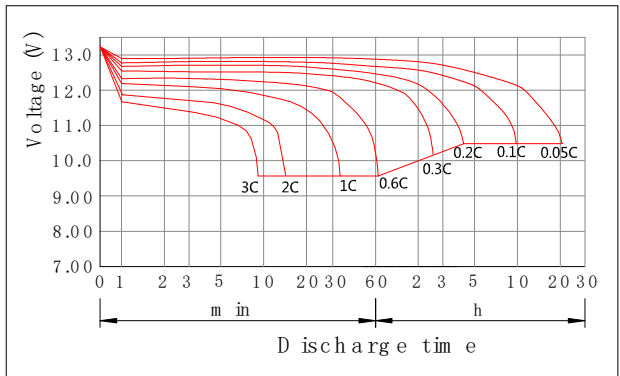
The Relationship for Charging Voltage and Temperature



Charging Characteristics (25°C)



Discharge Characteristics (25°C)



Constant Current Discharge Characteristics (Ampere / Battery, 25°C)

FV / TIME	5min	10min	15min	20min	30min	45min	1h	2h	3h	4h	5h	6h	8h	10h	20h
10.98V	--	265,78	223,10	176,54	148,41	104,76	84,58	51,02	35,60	31,04	22,99	21,05	17,07	14,55	7,64
10.80V	--	274,00	230,00	182,00	153,00	108,00	87,20	52,60	36,70	32,00	23,70	21,70	17,60	15,00	7,88
10.50V	--	285,00	239,00	195,00	158,00	113,00	89,20	53,80	37,40	32,40	24,50	22,00	17,90	15,10	7,93
10.20V	--	303,00	254,00	207,00	167,00	116,00	94,10	55,90	39,30	32,80	25,30	22,50	18,10	15,20	7,98
9.90V	--	322,00	268,00	210,00	177,00	119,00	98,70	56,90	41,10	33,20	26,40	22,90	18,30	15,30	8,03
9.60V	--	340,00	283,00	224,00	186,00	121,00	103,00	57,90	42,90	33,70	27,60	23,40	18,60	15,40	8,07

Constant Power Discharge Characteristics (Watt / Battery, 25°C)

FV / TIME	5min	10min	15min	20min	30min	45min	1h	2h	3h	4h	5h	6h	8h	10h	20h
10.98V	--	2997,30	2531,70	2048,64	1664,52	1233,84	989,40	568,03	414,97	350,95	284,02	240,37	190,31	158,89	83,23
10.80V	--	3090,00	2610,00	2112,00	1716,00	1272,00	1020,00	585,60	427,80	361,80	292,80	247,80	196,20	163,80	85,80
10.50V	--	3222,00	2712,00	2160,00	1782,00	1320,00	1044,00	606,00	439,80	368,40	300,00	253,20	200,40	167,40	87,60
10.20V	--	3360,00	2820,00	2220,00	1848,00	1362,00	1068,00	624,00	451,20	375,00	306,00	258,60	204,00	171,00	88,80
9.90V	--	3498,00	2922,00	2310,00	1908,00	1404,00	1092,00	642,00	463,20	379,80	314,40	263,40	207,60	173,40	91,20
9.60V	--	3630,00	3030,00	2460,00	1974,00	1446,00	1116,00	654,00	475,20	385,80	322,20	270,60	214,80	176,40	91,80

Version: 2015-09