

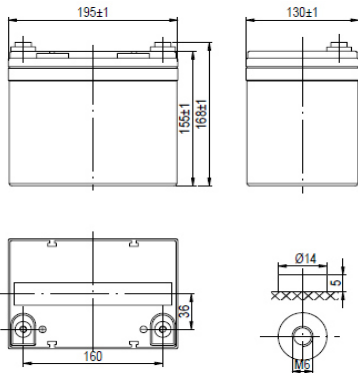
RPower OGiV12330LP

(12V 33Ah AGM Battery)

Floating Life at 20°C designed for 10-12 years

EAN: 4260349823340

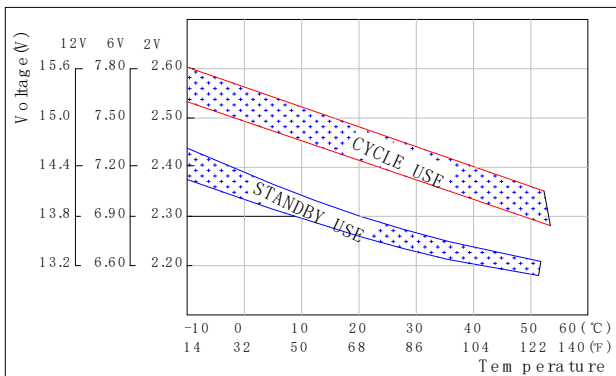
Dimensions



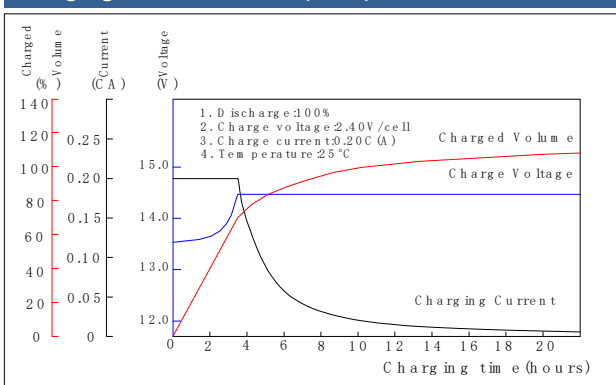
Specifications

Nominal Voltage	12V	
Capacity (10hr@25°C@1.80V/C)	33Ah	
Dimensions	Length	195mm (7.68inch)
	Width	130mm (5.12inch)
	Height	155mm (6.10inch)
	Total Height	168mm (6.61inch)
Approx. Weight	9.70kg (21.38lbs)	
Maximum charging current	9.90A	
Maximum discharge current	330A (5sec.)	
Internal resistance	Approx. 12mΩ	
Capacity affected by temperature (20hr)	40°C	103%
	25°C	100%
	0°C	86%
	-15°C	65%
Self-discharge (25°C)	3 month	Remaining Capacity: 91%
	6 month	Remaining Capacity: 82%
	12 month	Remaining Capacity: 65%
Nominal operating temperature	25°C ±3°C (77°F±5°F)	
Operating temperature range	-20°C~55°C (-4°F~131°F)	
Float charging voltage (25°C)	13.65 to 13.80V	
Cyclic charging voltage (25°C)	14.40 to 15.00V	
Terminal material	Copper	

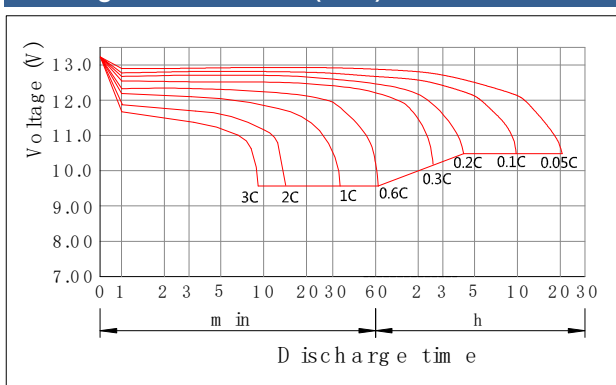
The Relationship for Charging Voltage and Temperature



Charging Characteristics (25°C)



Discharge Characteristics (25°C)



Constant Current Discharge Characteristics (Ampere / Battery, 25°C)

FV / TIME	5min	10min	15min	20min	30min	45min	1h	2h	3h	4h	5h	6h	8h	10h	20h
10.98V	56,55	49,86	43,46	38,02	27,94	23,67	19,21	10,48	7,93	6,25	5,34	4,61	3,57	3,20	1,63
10.80V	58,30	51,40	44,80	39,20	28,80	24,40	19,80	10,80	8,18	6,44	5,50	4,75	3,68	3,30	1,68
10.50V	64,40	56,10	47,80	40,50	29,80	25,10	20,30	11,20	8,25	6,52	5,58	4,83	3,78	3,31	1,69
10.20V	66,10	60,00	51,40	43,80	30,40	26,30	21,20	11,60	8,45	6,90	6,15	5,15	3,95	3,32	1,71
9.90V	75,60	65,00	54,10	44,20	31,30	27,30	21,90	11,80	8,97	7,21	6,25	5,22	4,00	3,35	1,72
9.60V	82,50	69,30	57,40	46,50	32,60	27,70	22,30	11,90	9,08	7,29	6,30	5,30	4,02	3,36	1,74

Constant Power Discharge Characteristics (Watt / Battery, 25°C)

FV / TIME	5min	10min	15min	20min	30min	45min	1h	2h	3h	4h	5h	6h	8h	10h	20h
10.98V	568,61	540,68	517,98	442,32	325,92	241,53	222,91	122,22	88,46	73,33	64,02	53,37	42,20	38,59	20,49
10.80V	586,20	557,40	534,00	456,00	336,00	249,00	229,80	126,00	91,20	75,60	66,00	55,02	43,50	39,78	21,12
10.50V	700,80	624,00	552,00	471,60	348,00	255,00	234,60	130,80	96,00	76,20	67,80	55,92	44,70	39,90	21,24
10.20V	748,20	660,00	574,20	510,00	360,00	261,00	239,40	135,60	100,80	81,00	69,00	59,64	46,68	40,02	21,48
9.90V	802,80	696,00	591,60	514,20	370,20	265,20	243,00	138,60	103,80	84,60	71,40	60,42	47,28	40,38	21,60
9.60V	870,00	732,00	600,00	541,20	391,80	273,00	245,40	139,80	104,40	85,20	73,20	61,38	47,52	40,50	21,84

Version: 2015-10