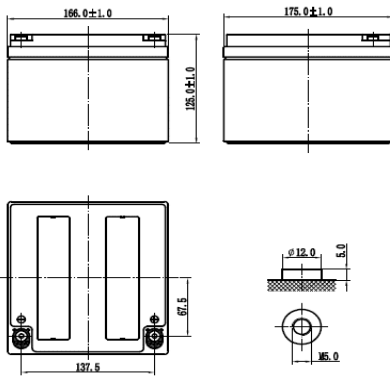


# RPower OGiV12260LP (12V 26Ah AGM Battery)

Floating Life at 20°C designed for 10-12 years

EAN: 4260349823333

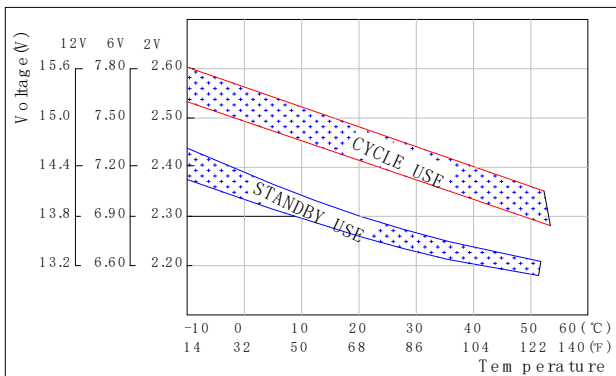
## Dimensions



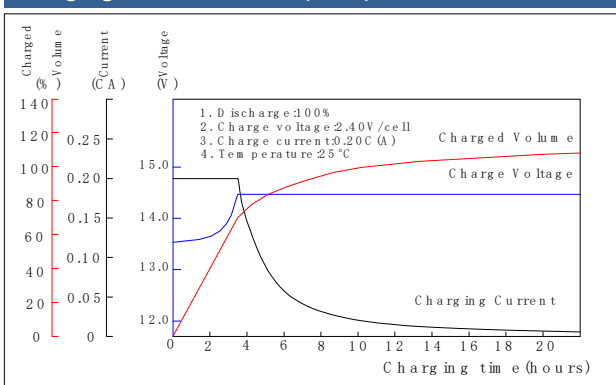
## Specifications

Nominal Voltage	12V	
Capacity (20hr@25°C@1.75V/C)	26Ah	
Dimensions	Length	166mm (6.54inch)
	Width	175mm (6.89inch)
	Height	125mm (4.92inch)
	Total Height	125mm (4.92inch)
Approx. Weight	9.20kg (20.28lbs)	
Maximum charging current	7.80A	
Maximum discharge current	300A (5sec.)	
Internal resistance	Approx. 10mΩ	
Capacity affected by temperature (20hr)	40°C	103%
	25°C	100%
	0°C	86%
	-15°C	65%
Self-discharge (25°C)	3 month	Remaining Capacity: 91%
	6 month	Remaining Capacity: 82%
	12 month	Remaining Capacity: 65%
Nominal operating temperature	25°C ±3°C (77°F±5°F)	
Operating temperature range	-20°C~55°C (-4°F~131°F)	
Float charging voltage (25°C)	13.65 to 13.80V	
Cyclic charging voltage (25°C)	14.40 to 15.00V	
Terminal material	Copper	

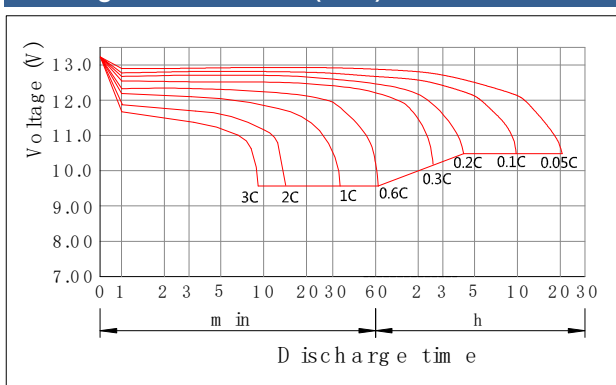
## The Relationship for Charging Voltage and Temperature



## Charging Characteristics (25°C)



## Discharge Characteristics (25°C)



## Constant Current Discharge Characteristics (Ampere / Battery, 25°C)

FV / TIME	5min	10min	15min	20min	30min	45min	1h	2h	3h	4h	5h	6h	8h	10h	20h
10.98V	90,50	64,02	44,52	35,31	26,97	20,08	15,04	10,67	6,89	5,43	4,56	3,84	2,98	2,43	1,24
10.80V	93,30	66,00	45,90	36,40	27,80	20,70	15,50	11,00	7,10	5,60	4,70	3,96	3,07	2,51	1,28
10.50V	99,69	70,10	48,60	38,50	29,40	21,40	16,30	11,55	7,40	5,85	4,90	4,12	3,19	2,58	1,30
10.20V	106,50	74,30	51,20	40,40	30,90	22,30	17,00	12,05	7,70	6,05	5,00	4,21	3,26	2,63	1,32
9.90V	112,70	78,40	53,80	42,40	32,30	22,80	17,80	12,60	8,00	6,30	5,20	4,37	3,38	2,69	1,33
9.60V	119,20	82,30	56,30	44,20	33,60	23,50	18,40	13,00	8,20	6,45	5,30	4,46	3,45	2,74	1,34

## Constant Power Discharge Characteristics (Watt / Battery, 25°C)

FV / TIME	5min	10min	15min	20min	30min	45min	1h	2h	3h	4h	5h	6h	8h	10h	20h
10.98V	936,44	623,32	472,58	389,94	293,33	222,91	174,60	125,71	80,90	64,19	49,06	45,40	35,21	28,98	14,67
10.80V	965,40	642,60	487,20	402,00	302,40	229,80	180,00	129,60	83,40	66,18	50,58	46,80	36,30	29,88	15,12
10.50V	1043,40	693,60	521,40	424,80	322,80	237,60	190,80	135,60	87,00	69,12	51,84	48,72	37,68	30,36	15,36
10.20V	1120,80	738,60	556,20	445,80	342,60	247,80	201,00	141,60	89,40	71,52	52,98	49,74	38,52	30,84	15,60
9.90V	1198,80	790,80	590,40	468,00	362,40	253,20	210,60	148,20	91,80	74,46	54,06	51,66	39,96	31,32	15,72
9.60V	1282,80	835,80	624,00	487,80	381,00	261,00	219,60	153,00	94,20	76,26	55,02	52,74	40,80	31,80	15,84

Version: 2015-10