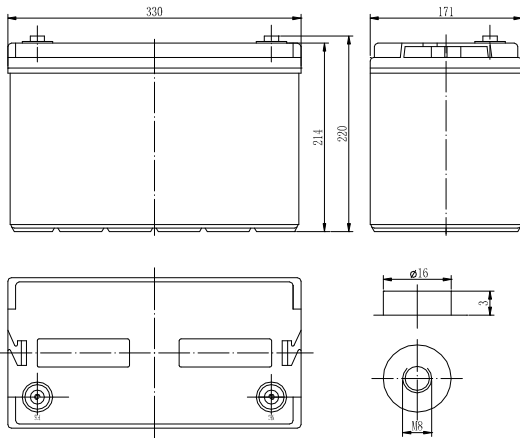


RPower OGiV121000L (12V 100Ah Battery)

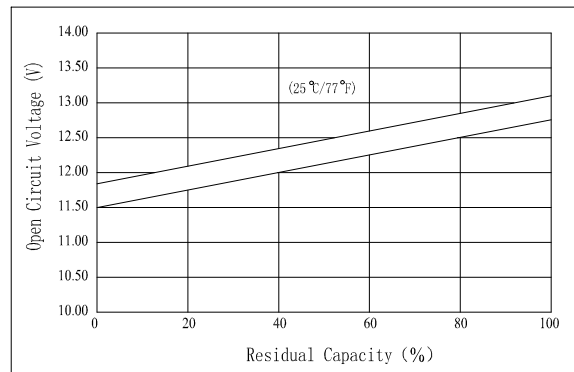
Floating Life at 20°C designed for 12+ years

EAN: 4260123680121

Dimensions



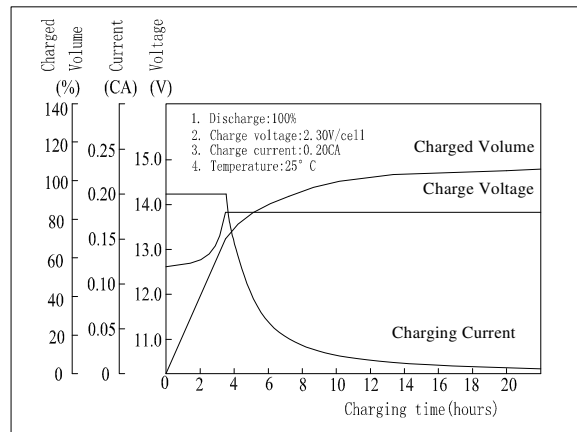
The Relationship for Open Circuit Voltage and Residual Capacity (25°C)



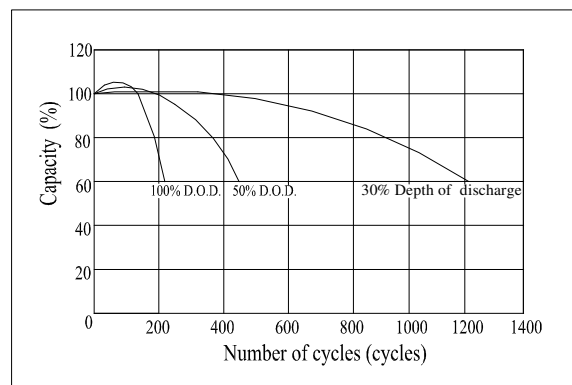
Specifications

Nominal Voltage		12V
Capacity (20hr@25°C@1.8V/C)		106Ah
Dimensions	Length	330mm (12.99inch)
	Width	171mm (6.73inch)
	Height	214mm (8.43inch)
	Total Height	220mm (8.66inch)
Approx. Weight		30.5kg (67.3lbs)
Maximum charging current		30A
Maximum discharge current		800A (5sec.)
Internal resistance (Fully charged, 25°C)		Approx. 4.5mΩ
Capacity affected by temperature (10hr)	40°C	102%
	25°C	100%
	0°C	85%
	-15°C	65%
Self-discharge (25°C)	3 month	Remaining Capacity: 91%
	6 month	Remaining Capacity: 82%
	12 month	Remaining Capacity: 65%
Nominal operating temperature		25°C ±3°C (77°F±5°F)
Operating temperature range		-15°C ~ 50°C (5°F ~ 122°F)
Float charging voltage (25°C)		13.65 to 13.80V
Cyclic charging voltage (25°C)		14.50 to 14.90V
Terminal material		Copper

Charging Characteristics (25°C)



Cycle Life (25°C)



Constant Current Discharge Characteristics (Ampere / Battery, 25°C)

F.V./TIME	5min	10min	15min	30min	1h	3h	5h	10h	20h
9.60V	320	220	175	108	65,0	26,4	18,5	10,3	5,35
10.2V	304	209	168	104	62,4	26,0	18,2	10,2	5,35
10.8V	286	196	160	98,8	59,3	25,5	17,8	10,0	5,30

Constant Power Discharge Characteristics (Watt / Battery, 25°C)

F.V./TIME	5min	10min	15min	30min	1h	3h	5h	10h	20h
9.60V	3360	2376	1922	1212	741	310	219	123	64,2
10.2V	3192	2257	1845	1167	711	306	215	122	64,2
10.8V	3003	2117	1757	1109	676	300	210	119	63,6