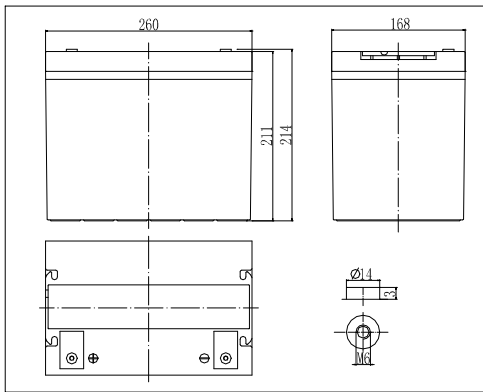


RPower OGiV12800L (12V 80Ah Battery)

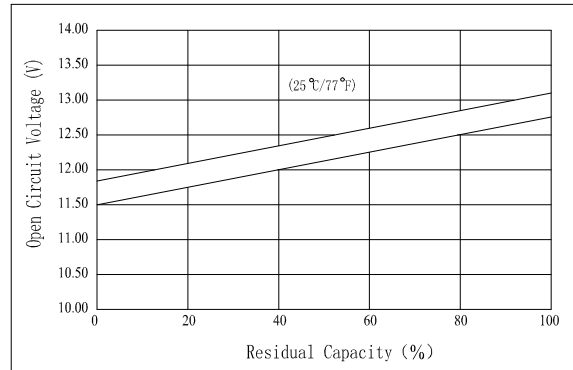
Floating Life at 20°C designed for 12+ years

EAN: 4260123680114

Dimensions



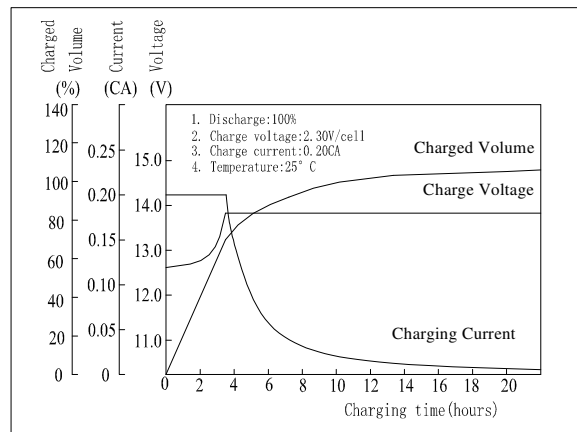
The Relationship for Open Circuit Voltage and Residual Capacity (25°C)



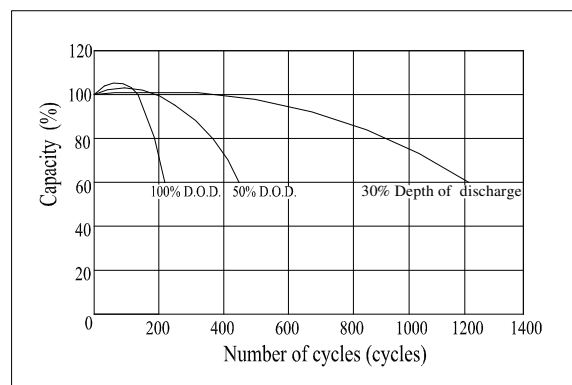
Specifications

Nominal Voltage	12V	
Capacity (20hr@25°C@1.8V/C)	84Ah	
Dimensions	Length	260mm (10.24inch)
	Width	168mm (6.61inch)
	Height	211mm (8.31inch)
	Total Height	214mm (8.43inch)
Approx. Weight	24.2kg (53.3lbs)	
Maximum charging current	24A	
Maximum discharge current	800A (5sec.)	
Internal resistance (Fully charged, 25°C)	Approx. 5.4mΩ	
Capacity affected by temperature (10hr)	40°C	102%
	25°C	100%
	0°C	85%
	-15°C	65%
Self-discharge (25°C)	3 month	Remaining Capacity: 91%
	6 month	Remaining Capacity: 82%
	12 month	Remaining Capacity: 65%
Nominal operating temperature	25°C ±3°C (77°F±5°F)	
Operating temperature range	-15°C ~ 50°C (5°F ~ 122°F)	
Float charging voltage (25°C)	13.65 to 13.80V	
Cyclic charging voltage (25°C)	14.50 to 14.90V	
Terminal material	Copper	

Charging Characteristics (25°C)



Cycle Life (25°C)



Constant Current Discharge Characteristics (Ampere / Battery, 25°C)

F.V./TIME	5min	10min	15min	30min	1h	3h	5h	10h	20h
9.60V	256	175	135	84,0	52,0	20,3	14,6	8,12	4,26
10.2V	243	166	130	80,6	49,9	20,0	14,4	8,08	4,23
10.8V	229	156	123	76,6	47,4	19,6	14,1	8,00	4,20

Constant Power Discharge Characteristics (Watt / Battery, 25°C)

F.V./TIME	5min	10min	15min	30min	1h	3h	5h	10h	20h
9.60V	2688	1890	1482	942	593	239	173	97,0	51,1
10.2V	2554	1796	1423	905	569	235	170	96,5	50,8
10.8V	2400	1688	1352	860	541	230	167	95,5	50,4

Valid from 12-2014