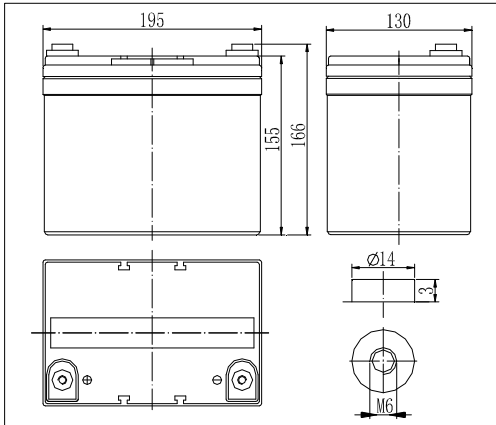


RPower OGiV12330L (12V 33Ah Battery)

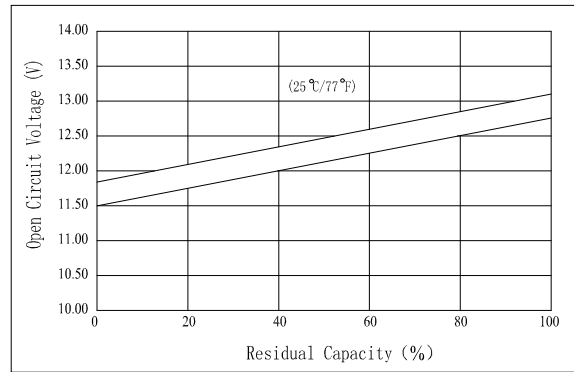
Floating Life at 20°C designed for 12+ years

EAN: 4260123680053

Dimensions



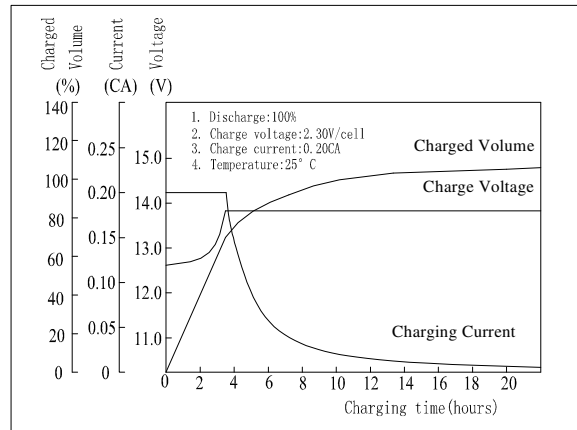
The Relationship for Open Circuit Voltage and Residual Capacity (25°C)



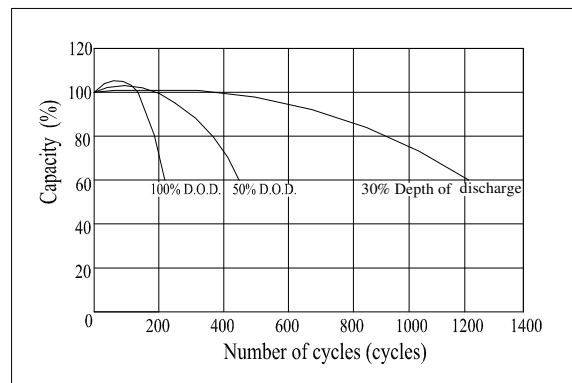
Specifications

Nominal Voltage		12V
Capacity (20hr@25°C@1.8V/C)		33.6Ah
Dimensions	Length	195mm (7.68inch)
	Width	130mm (5.12inch)
	Height	155mm (6.10inch)
	Total Height	166mm (6.54inch)
Approx. Weight		10.2kg (22.5lbs)
Maximum charging current		9.9A
Maximum discharge current		330A (5sec.)
Internal resistance (Fully charged, 25°C)		Approx. 10mΩ
Capacity affected by temperature (10hr)	40°C	102%
	25°C	100%
	0°C	85%
	-15°C	65%
Self-discharge (25°C)	3 month	Remaining Capacity: 91%
	6 month	Remaining Capacity: 82%
	12 month	Remaining Capacity: 65%
Nominal operating temperature		25°C ±3°C (77°F±5°F)
Operating temperature range		-15°C ~ 50°C (5°F ~ 122°F)
Float charging voltage (25°C)		13.65 to 13.80V
Cyclic charging voltage (25°C)		14.50 to 14.90V
Terminal material		Copper

Charging Characteristics (25°C)



Cycle Life (25°C)



Constant Current Discharge Characteristics (Ampere / Battery, 25°C)

F.V/TIME	5min	10min	15min	30min	1h	3h	5h	10h	20h
9.60V	110	70,5	58,0	34,0	20,8	8,85	6,07	3,35	1,74
10.2V	105	67,0	55,6	32,6	20,0	8,60	5,95	3,33	1,72
10.8V	98,6	63,0	52,8	31,0	19,0	8,25	5,77	3,30	1,68

Constant Power Discharge Characteristics (Watt / Battery, 25°C)

F.V/TIME	5min	10min	15min	30min	1h	3h	5h	10h	20h
9.60V	1155	762	637	381	237	104	71,7	40,0	20,9
10.2V	1101	724	611	365	228	101	70,3	39,8	20,6
10.8V	1035	680	580	348	205	97	68,2	39,4	20,2

Valid from 12-2014