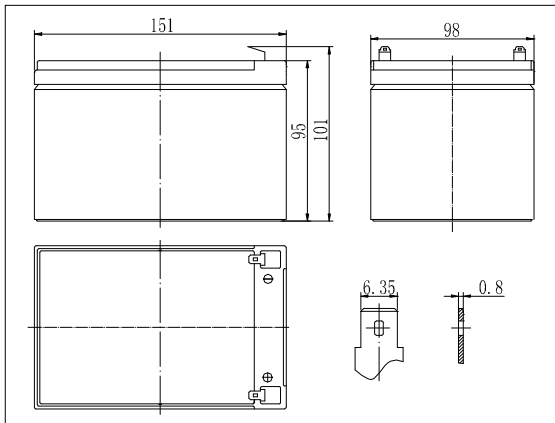


# RPower OGiV12120L (12V 12Ah Battery)

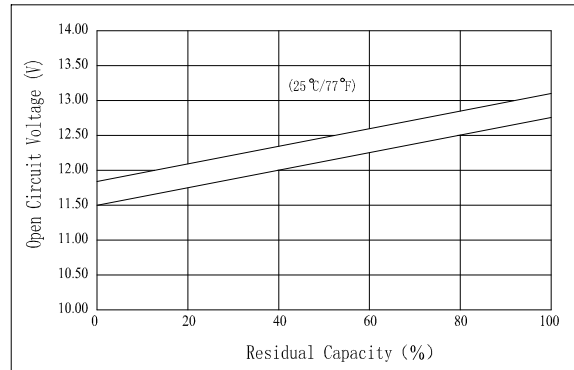
Floating Life at 20°C designed for 12+ years

EAN: 4260123680022

## Dimensions



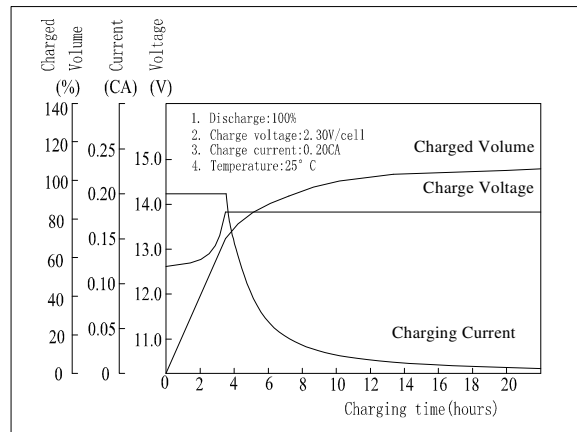
## The Relationship for Open Circuit Voltage and Residual Capacity (25°C)



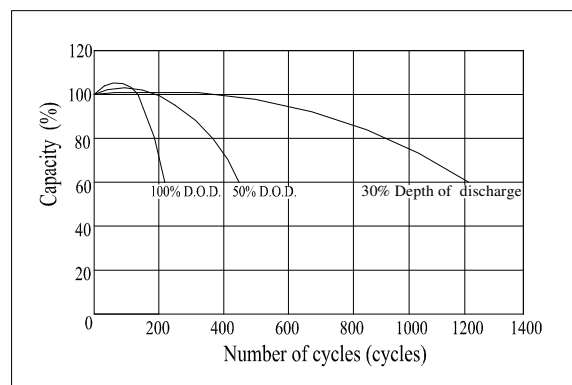
## Specifications

Nominal Voltage		12V
Capacity (20hr@25°C@1.8V/C)		12Ah
Dimensions	Length	151mm (5.94inch)
	Width	98mm (3.86inch)
	Height	95mm (3.74inch)
	Total Height	101mm (3.98inch)
Approx. Weight		3.8kg (8.38lbs)
Maximum charging current		3.6A
Maximum discharge current		180A (5sec.)
Internal resistance (Fully charged, 25°C)		Approx. 19mΩ
Capacity affected by temperature (20hr)	40°C	102%
	25°C	100%
	0°C	85%
	-15°C	65%
Self-discharge (25°C)	3 month	Remaining Capacity: 91%
	6 month	Remaining Capacity: 82%
	12 month	Remaining Capacity: 65%
Nominal operating temperature		25°C ±3°C (77°F±5°F)
Operating temperature range		-15°C ~ 50°C (5°F ~ 122°F)
Float charging voltage (25°C)		13.65 to 13.80V
Cyclic charging voltage (25°C)		14.50 to 14.90V
Terminal material		Copper

## Charging Characteristics (25°C)



## Cycle Life (25°C)



## Constant Current Discharge Characteristics (Ampere / Battery, 25°C)

F.V/TIME	5min	10min	15min	30min	1h	3h	5h	10h	20h
9.60V	44,6	30,1	24,0	13,2	7,80	3,17	2,08	1,12	0,61
10.2V	42,4	28,6	23,0	12,7	7,49	3,12	2,05	1,11	0,61
10.8V	39,8	26,9	21,9	12,1	7,11	3,06	2,01	1,10	0,60

## Constant Power Discharge Characteristics (Watt / Battery, 25°C)

F.V/TIME	5min	10min	15min	30min	1h	3h	5h	10h	20h
9.60V	498	339	274	152	90,3	37,6	25,0	13,4	7,26
10.2V	473	322	263	146	86,7	37,1	24,5	13,3	7,26
10.8V	445	303	250	138	82,4	36,3	24,0	13,3	7,20

Valid from 12-2014