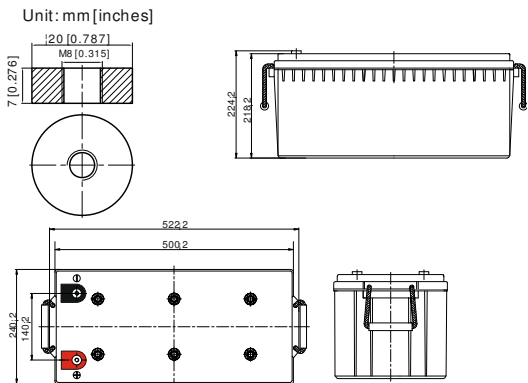


GELOGiV122000L (12V 200Ah GEL Battery)

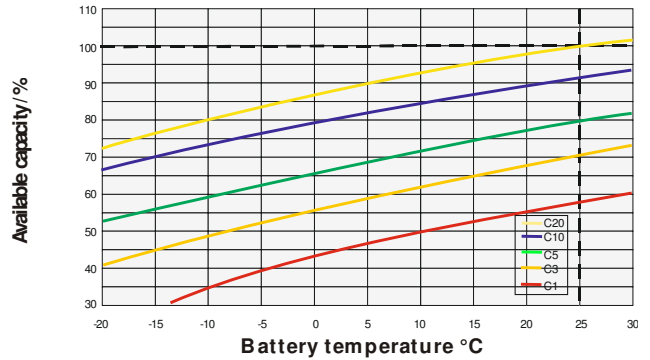
Floating Life at 20°C designed for 12+ years

EAN: 4260123683405

Dimensions



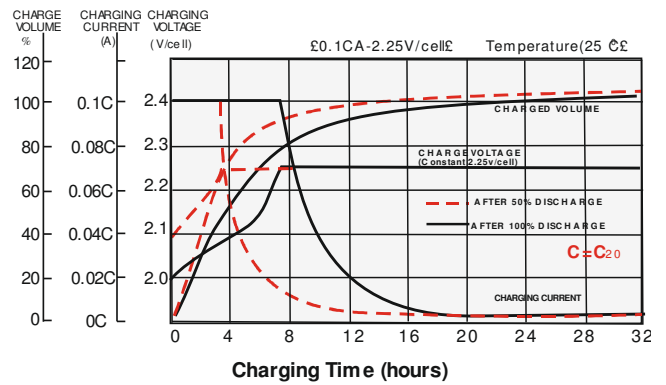
Temperature Effects in Relation to Battery Capacity



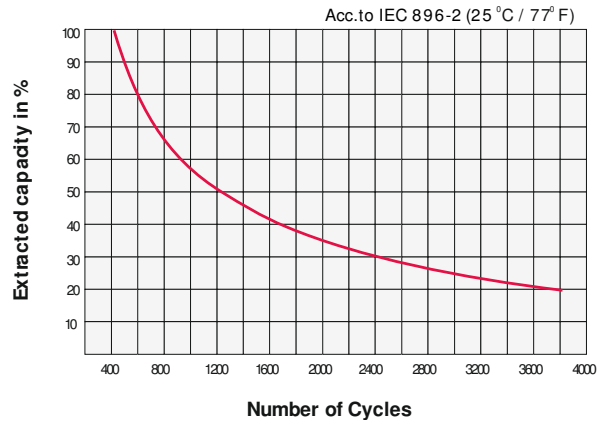
Specifications

| | | |
|---|--------------|-----------------------------|
| Nominal Voltage | | 12V |
| Capacity (25°C@1.8V/C) | | C20: 200Ah C5: 154Ah |
| Dimensions | Length | 522mm (20.55inch) |
| | Width | 240mm (9.45inch) |
| | Height | 218mm (8.58inch) |
| | Total Height | 224mm (8.81inch) |
| Approx. Weight | | 62.9kg (138.7lbs) |
| Maximum charging current | | 60.0A |
| Maximum discharge current | | 1800A (5sec.) |
| Internal resistance | | Approx. 3.4mΩ |
| Capacity affected by temperature (20hr) | 40°C | 103% |
| | 25°C | 100% |
| | 0°C | 86% |
| | -15°C | 65% |
| Self-discharge (25°C) | 3 month | Remaining Capacity: 91% |
| | 6 month | Remaining Capacity: 82% |
| | 12 month | Remaining Capacity: 65% |
| Nominal operating temperature | | 25°C ±3°C (77°F±5°F) |
| Operating temperature range | | -20°C ~ 55°C (-4°F ~ 131°F) |
| Float charging voltage (25°C) | | 13.65 to 13.80V |
| Cyclic charging voltage (25°C) | | 14.40 to 15.00V |
| Terminal material | | Copper |

Float Charging Characteristics



Cycle Life in Relation to Depth of Discharge



Constant Current Discharge Characteristics (Ampere / Cell, 25°C)

| F.V/TIME | 20min | 30min | 45min | 1h | 3h | 5h | 8h | 10h | 20h |
|------------|-------|-------|-------|-------|------|------|------|------|------|
| 1.60V/cell | 264,6 | 194,4 | 142,7 | 116,8 | 51,9 | 34,7 | 23,3 | 19,6 | 10,6 |
| 1.70V/cell | 234,6 | 174,8 | 128,3 | 106,0 | 48,3 | 33,0 | 22,5 | 19,0 | 10,3 |
| 1.80V/cell | 193,8 | 148,4 | 111,7 | 93,6 | 43,9 | 30,8 | 21,2 | 18,2 | 10,0 |

Constant Power Discharge Characteristics (Watt / Cell, 25°C)

| F.V/TIME | 20min | 30min | 45min | 1h | 3h | 5h | 8h | 10h | 20h |
|------------|-------|-------|-------|-------|------|------|------|------|------|
| 1.60V/cell | 478,1 | 357,3 | 266,8 | 221,3 | 99,8 | 67,5 | 45,8 | 38,9 | 21,0 |
| 1.70V/cell | 433,5 | 327,8 | 243,3 | 203,1 | 93,9 | 64,5 | 44,5 | 37,8 | 20,5 |
| 1.80V/cell | 366,1 | 283,3 | 215,1 | 181,3 | 85,8 | 60,6 | 42,0 | 36,3 | 19,9 |

Valid from 12-2014