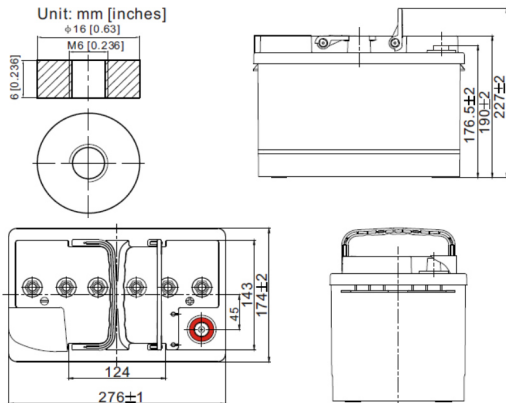


GELOGiV12550L (12V 55Ah GEL Battery)

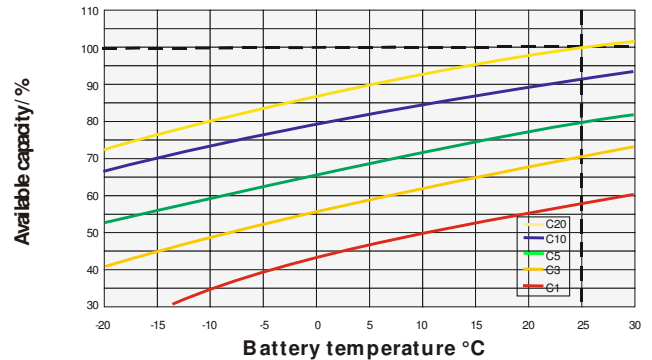
Floating Life at 20°C designed for 12+ years

EAN: 4260123689971

Dimensions



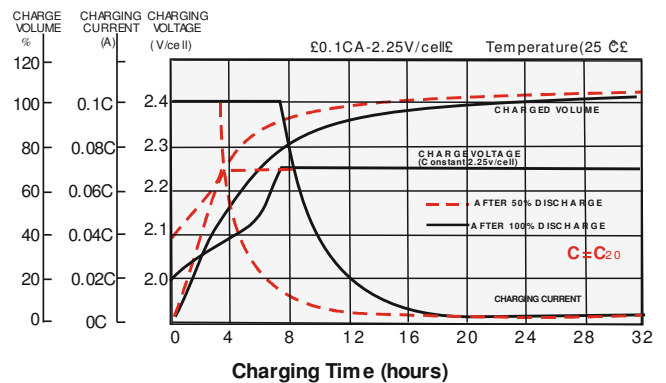
Temperature Effects in Relation to Battery Capacity



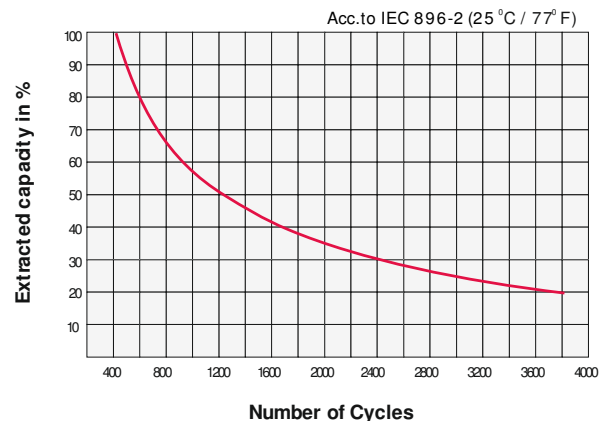
Specifications

Nominal Voltage	12V	
Capacity (25°C@1.8V/C)	C20: 55Ah	
	C5: 42.4Ah	
Dimensions	Length	276mm (10.87inch)
	Width	174mm (6.85inch)
	Height	190mm (7.48inch)
	Total Height	190mm (7.48inch)
Approx. Weight	20.4kg (45.0lbs)	
Maximum charging current	16.5A	
Maximum discharge current	550A (5sec.)	
Internal resistance	Approx. 9.0mΩ	
Capacity affected by temperature (20hr)	40°C	103%
	25°C	100%
	0°C	86%
	-15°C	65%
Self-discharge (25°C)	3 month	Remaining Capacity: 91%
	6 month	Remaining Capacity: 82%
	12 month	Remaining Capacity: 65%
Nominal operating temperature	25°C ±3°C (77°F±5°F)	
Operating temperature range	-20°C ~ 55°C (-4°F ~ 131°F)	
Float charging voltage (25°C)	13.65 to 13.80V	
Cyclic charging voltage (25°C)	14.40 to 15.00V	
Terminal material	Copper	

Float Charging Characteristics



Cycle Life in Relation to Depth of Discharge



Constant Current Discharge Characteristics (Ampere / Cell, 25°C)

F.V/TIME	20min	30min	45min	1h	3h	5h	8h	10h	20h
1.60V/cell	72,8	53,4	39,2	32,1	14,3	9,53	6,40	5,40	2,91
1.70V/cell	64,5	48,0	35,3	29,2	13,3	9,08	6,19	5,23	2,84
1.80V/cell	53,3	40,8	30,7	25,8	12,1	8,47	5,82	5,01	2,75

Constant Power Discharge Characteristics (Watt / Cell, 25°C)

F.V/TIME	20min	30min	45min	1h	3h	5h	8h	10h	20h
1.60V/cell	131,5	98,3	73,3	60,9	27,5	18,6	12,6	10,7	5,78
1.70V/cell	119,3	90,1	66,9	55,8	25,9	17,8	12,2	10,4	5,65
1.80V/cell	100,7	77,9	59,1	49,9	23,6	16,7	11,6	9,99	5,48

Valid from 12-2014