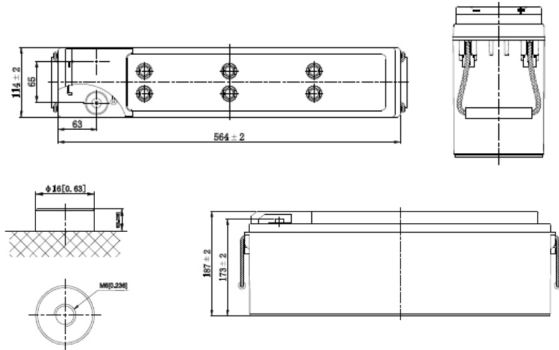


# RPower GELoGiV12700FT (12V 70Ah GEL Front Terminal)

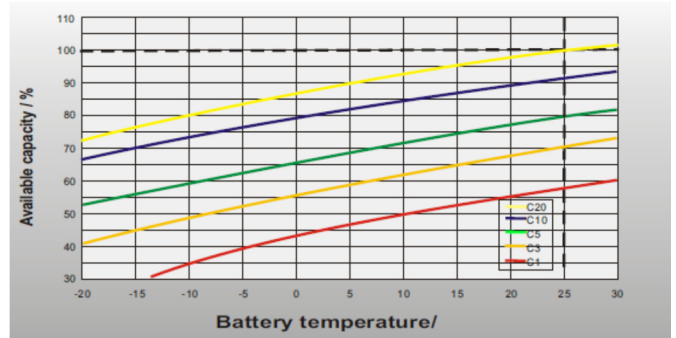
Floating Life at 20°C designed for 12+ years

EAN: 4260349822268

## Dimensions



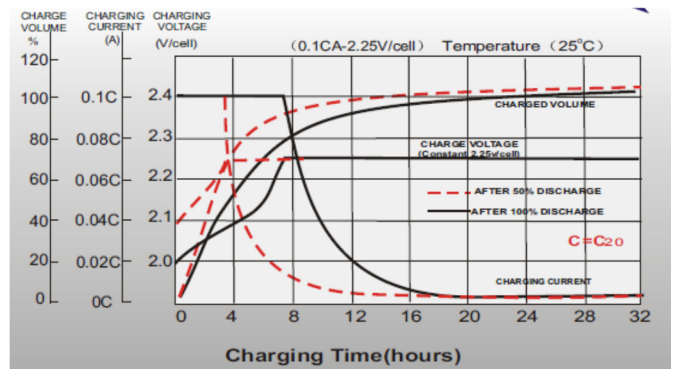
## Temperature Effects in Relation to Battery Capacity



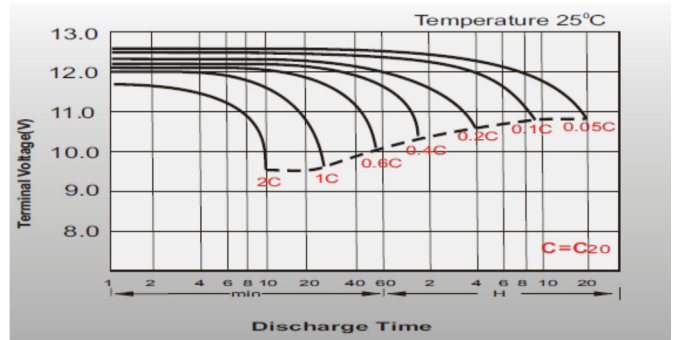
## Specifications

Nominal Voltage		12V
Capacity (20hr@25°C@1.80V/C)		70Ah
Dimensions	Length	564mm (22.2inch)
	Width	114mm (4.49inch)
	Height	187mm (7.36inch)
	Total Height	187mm (7.36inch)
Approx. Weight		26.0kg (57.3lbs)
Maximum charging current		17.5A
Maximum discharge current		700A (5sec.)
Internal resistance		Approx. 6.6mΩ
Capacity affected by temperature (20hr)	40°C	103%
	25°C	100%
	0°C	86%
	-15°C	65%
Self-discharge (25°C)	3 month	Remaining Capacity: 91%
	6 month	Remaining Capacity: 82%
	12 month	Remaining Capacity: 65%
Nominal operating temperature		25°C ±3°C (77°F±5°F)
Operating temperature range		-20°C ~ 55°C (-4°F ~ 131°F)
Float charging voltage (25°C)		13.65 to 13.80V
Cyclic charging voltage (25°C)		14.40 to 15.00V
Terminal material		Copper

## Float Charging Characteristics



## Discharge Characteristics



## Constant Current Discharge Characteristics (Ampere / Battery, 25°C)

F.V/ TIME	20min	30min	45min	1h	2h	3h	4h	5h	6h	7h	8h	9h	10h	20h
11.1V	62,0	48,7	37,1	29,3	19,4	14,8	12,3	10,6	9,13	8,08	7,29	6,66	6,30	3,36
10.8V	71,0	54,4	40,9	32,3	21,0	15,9	13,0	11,1	9,58	8,46	7,64	7,01	6,58	3,50
10.5V	79,8	59,8	44,3	34,6	22,3	16,8	13,6	11,56	9,92	8,76	7,88	7,21	6,71	3,57
10.2V	85,9	64,0	47,0	36,6	23,6	17,5	14,1	11,9	10,3	9,05	8,12	7,41	6,87	3,62
9.90V	89,5	66,5	48,7	38,0	24,2	18,0	14,4	12,2	10,4	9,18	8,24	7,50	6,95	3,65
9.60V	96,9	71,2	52,3	40,3	25,2	18,7	15,0	12,5	10,7	9,38	8,39	7,66	7,09	3,70

## Constant Power Discharge Characteristics (Watt / Battery, 25°C)

F.V/ TIME	20min	30min	45min	1h	2h	3h	4h	5h	6h	7h	8h	9h	10h	20h
11.1V	711,60	562,80	432,00	342,00	228,00	174,00	144,60	125,40	108,60	96,00	87,00	79,80	75,60	40,26
10.8V	804,60	622,80	471,60	375,60	245,40	186,00	153,00	131,40	113,40	100,20	91,20	83,40	78,60	41,88
10.5V	894,60	677,40	505,80	399,60	259,20	196,20	159,60	135,60	117,00	103,80	93,60	85,80	79,80	42,66
10.2V	952,80	720,60	534,60	421,20	273,60	203,40	164,40	139,80	121,20	106,80	96,00	88,20	81,60	43,14
9.90V	981,00	738,60	549,00	433,80	279,00	208,80	168,00	142,20	122,40	108,00	97,80	88,80	82,80	43,50
9.60V	1051,2	785,40	586,20	458,40	289,20	216,60	174,00	145,80	125,40	110,40	99,00	90,60	84,00	44,10

Valid from 12-2014