



Technical Information

IQAN Sensors

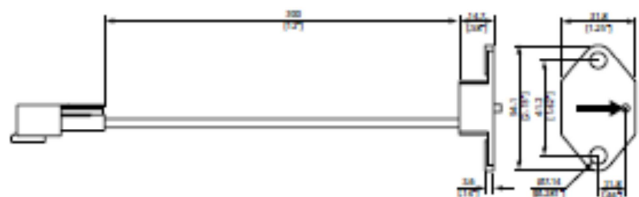
Acceleration sensors

ACC50

The ACC50 acceleration sensor is a 0-5 Vdc output accelerometer used to sense vibration, impact, tilt and motion for mobile hydraulic applications. Large mounting holes and a locating pin provide for easy alignment. The ACC50 has twelve inch wire leads and an attached 3 position Deutsch DTM connector.

Ordering part number

ACC50 01767



Technical Information

IQAN Sensors

Temperature sensors

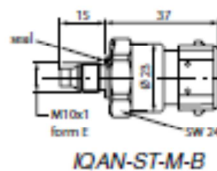
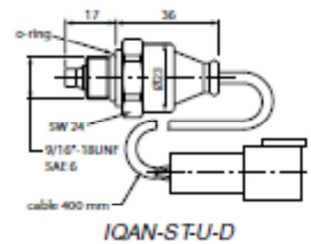
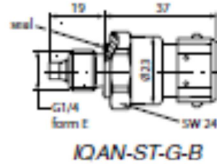
IQAN-ST- / - /

The IQAN-ST temperature transducer is a -50°C to +150°C, 0-5V output active temperature transducer for mobile hydraulic applications. This transducer is available in three interface types;

Option G has G1/4 BSP threads and has a type B integral Bosch automotive connector.

Option U has SAE 6 (9/16"-18 UNF) threads and a type D short cable mounted Deutsch DT automotive connector.

Option M has M10x1 threads and has a type B integral Bosch automotive connector.



units in mm

Ordering part numbers

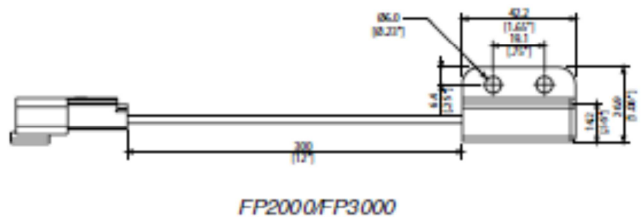
IQAN-ST-G-B	20073657
IQAN-ST-U-D	20073658
IQAN-ST-M-B	20073659

Ferrous proximity sensors

The FP series of proximity sensors are normally open, ferrous proximity sensors for mobile hydraulic applications and will sense ferrous objects.

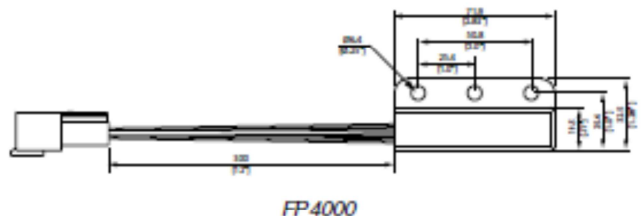


FP2000 proximity sensor is a 6.4 mm (1/4") airgap sensor with 300 mm (12") wire leads and a 2 position Deutsch DTM connector.



FP3000 proximity sensor is a 12.7 mm (1/2") airgap sensor with 300 mm (12") wire leads and a 2 position Deutsch DTM connector.

FP4000 proximity sensor is a high power, 6.4 mm (1/4") airgap sensor with 300 mm (12") wire leads and a 4 position Deutsch DTM connector.



Ordering part numbers

FP2000	01695
FP3000	01699
FP4000	01703

Technical Information

IQAN Sensors

IQAN by Parker has a variety of sensors to meet your pressure and temperature monitoring needs. Additionally, the Parker Sensor Business Unit designs and manufactures innovative sensors and switches for off-road vehicles, heavy trucks, construction equipment, agriculture equipment and a variety of general applications. These sensors use proven reliable technologies along with unique electro-magnetic circuits to deliver SMART sensors and switches capable of multiple functions, all in one economical, environmentally sealed package.

IQAN by Parker sensors and other Parker sensors that complement IQAN electronic control systems are an important part of any machine.

Pressure sensors

IQAN-SP035- /

The IQAN-SP035 pressure transducer is a 35 bar (500 psi), 0-5V pressure transducer for mobile hydraulic applications. This transducer is available in two interface types;

Option B has an integrated Bosch automotive connector and G1/4 BSP threads.

Option D has a short cable mounted Deutsch DT automotive connector and SAE 6 (9/16"-18 UNF) threads.

Ordering part numbers

IQAN-SP035-B	5020026
IQAN-SP035-D	2820008

IQAN-SP500- /

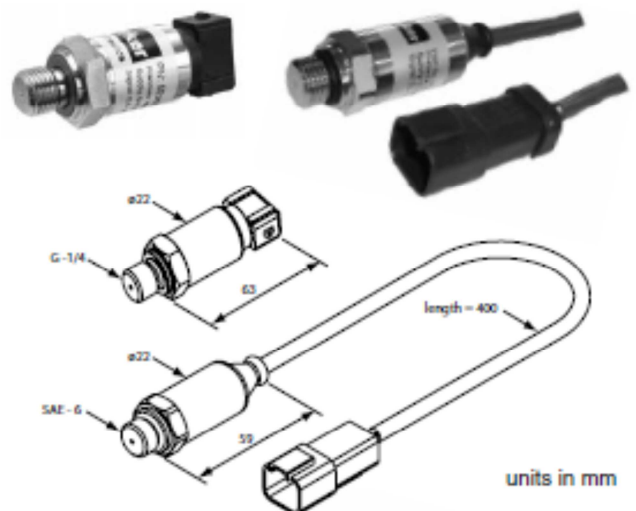
The IQAN-SP500 pressure transducer is a 500 bar (7300 psi), 0-5V pressure transducer for mobile hydraulic applications. This transducer is available in two interface types;

Option B has an integrated Bosch automotive connector and G1/4 BSP threads.

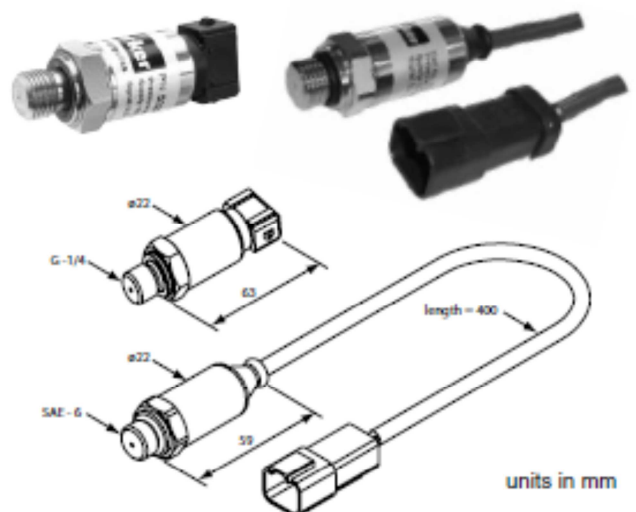
Option D has a short cable mounted Deutsch DT automotive connector and SAE 6 (9/16"-18 UNF) threads.

Ordering part numbers

IQAN-SP500-B	5020027
IQAN-SP500-D	2820009



units in mm



units in mm

Technical Information

IQAN Sensors

Rotary sensors

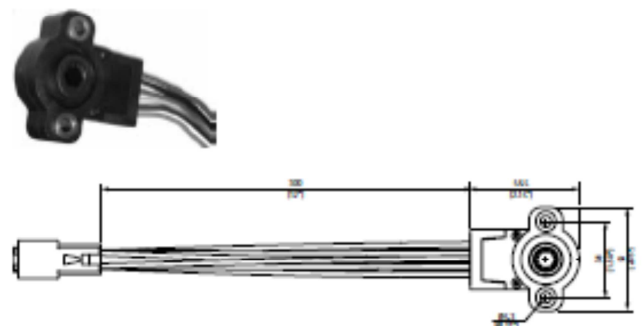
RF50

RF50 rotary friction sensor is a 0-5Vdc output, non-contact, friction lock rotary control for mobile hydraulic applications. The sensor has anodized aluminum construction and potted, sealed electronics. A locating flat on the 1/2"-28 UNEF threaded mount provides for easy alignment. The RF50 has twelve inch wire leads and an attached 3 position Deutsch DTM connector.



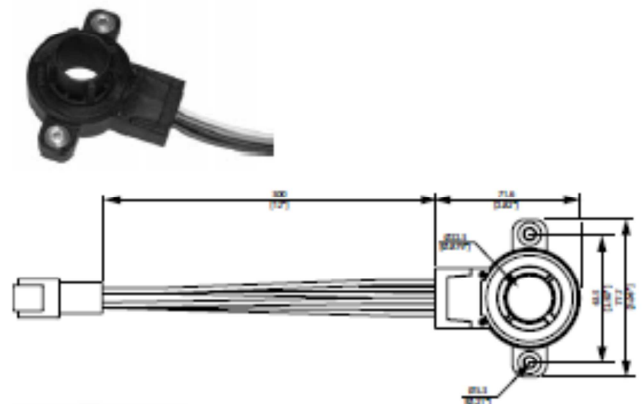
RS70

The RS70 rotary sensor is a 0-5Vdc, dual output, non-contact, spring return, 170° rotary sensor for mobile hydraulic applications. The sensor has glass-filled, nylon plastic construction and potted, sealed electronics. A hexagonal coupling and two roll pins in the body provide for easy alignment. The RS70 has twelve inch wire leads and an attached 6 position Deutsch DTM connector.



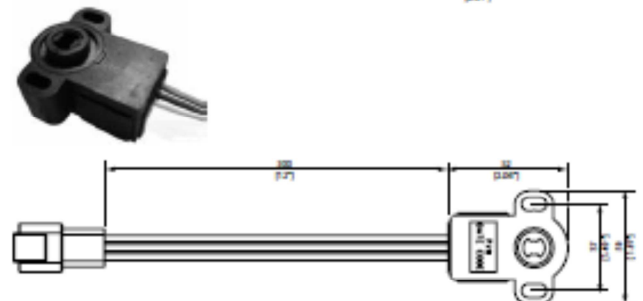
RS60

The RS60 rotary sensor is a 0-5Vdc, dual output, non-contact, spring return, 120° rotary sensor for mobile hydraulic applications. The sensor has glass-filled, nylon plastic construction and potted, sealed electronics. The through-hole coupling allows the flexibility to mount the sensor anywhere along the length of a rotating shaft. The RS60 has twelve inch wire leads and an attached 6 position Deutsch DTM connector.



RS52

The RS52 rotary sensor is a 0-5Vdc output, non-contact, spring return, 90° rotary sensor for mobile hydraulic applications. The sensor has glass-filled, nylon plastic construction and potted, sealed electronics. A versatile coupling and slotted mounting holes provide for easy alignment. The RS52 has twelve inch wire leads and an attached 3 position Deutsch DTM connector.



Ordering part numbers

RF50	01705
RS70	01707
RS60	01708
RS52	01709

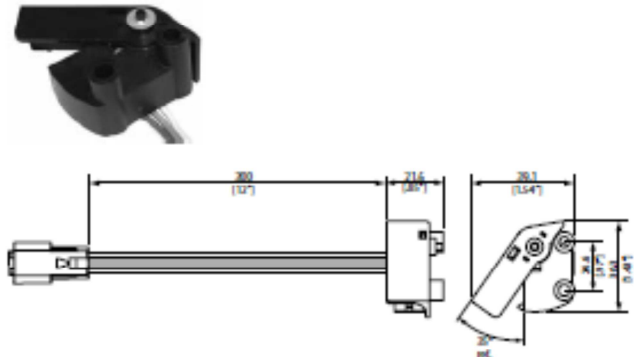
Technical Information

IQAN Sensors

Linear sensors

ADS50

The ADS50 linear motion sensor is a 0-5Vdc output, non-contact, spring return, lever actuated sensor for mobile hydraulic applications. The sensor has glass-filled, nylon plastic construction and potted, sealed electronics. The sensor outputs a linear signal over 25.4mm (1.0") of travel. Extra large mounting holes provide for easy alignment. The ADS50 has twelve inch wire leads and an attached 3 position Deutsch DTM connector.



Ordering part number

ADS50 01710

Speed sensors

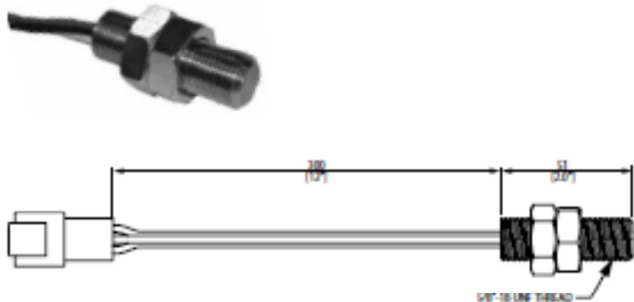
GS50

The GS50 geartooth sensor is a digital output, non-contact, speed sensor for mobile hydraulic applications. The sensor has glass-filled, nylon plastic construction and potted, sealed electronics. A single offset flange mounting hole provides for easy alignment. The GS50 has twelve inch wire leads and an attached 3 position Deutsch DTM connector.



GS60

The GS60 geartooth sensor is a digital output, non-contact, speed sensor for mobile hydraulic applications. The sensor has stainless steel construction and potted, sealed electronics. The 5/8"-18 UNF fully threaded body provides for easy alignment and adjustment. The GS60 has twelve inch wire leads and an attached 3 position Deutsch DTM connector.



Ordering part numbers

GS50 01711
GS60 01712

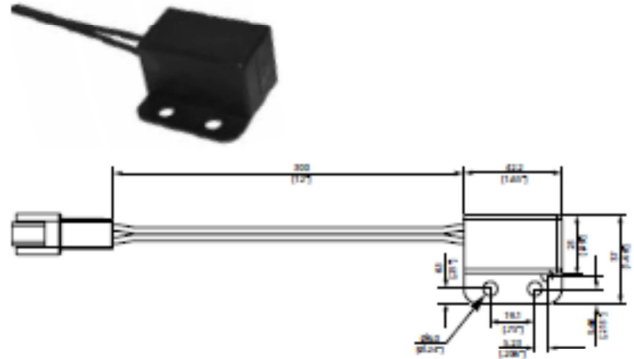
Technical Information

IQAN Sensors

Tilt sensors

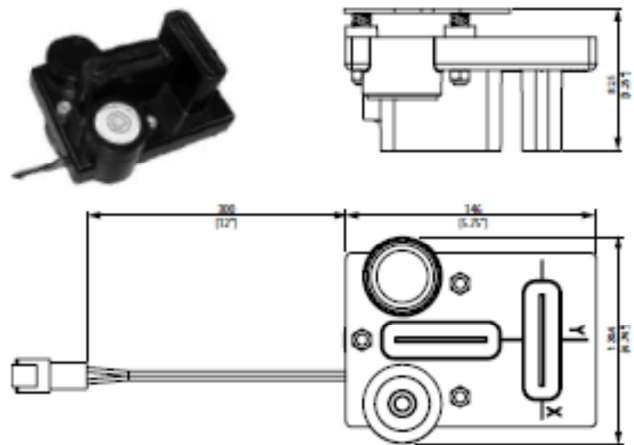
RM50

The RM50 rolling magnet switch is a one axis tilt switch for mobile hydraulic applications. The sensor has glass-filled, nylon plastic construction and potted, sealed electronics. Large mounting holes and a locating pin provide for easy alignment. The RM50 has twelve inch wire leads and an attached 2 position Deutsch DTM connector.



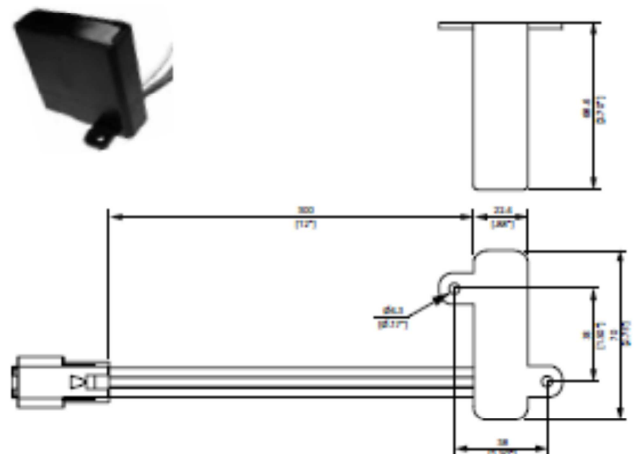
ATS90

The ATS90 dual axis sensor is a 0-5Vdc, dual output, non-contact, Hall effect angle/tilt sensor for mobile hydraulic applications. The sensor has ABS plastic construction and potted, sealed electronics. A built-in bubble level and three point mounting provide for easy installation and setup. The ATS90 has twelve inch wire leads and an attached 4 position Deutsch DTM connector.



ATS50

The ATS50 single axis sensor is a 0-5Vdc, single output, non-contact, Hall effect angle/tilt sensor for mobile hydraulic applications. The sensor has ABS plastic construction and potted, sealed electronics. The mounting holes are extra large for easy alignment. The ATS50 has twelve inch wire leads and an attached 3 position Deutsch DTM connector.



Ordering part numbers

RM50	01715
ATS50	01716
ATS90	01759