



Technical Information

ISOBUS-VT Displays

Environmental Protection

Electrical environment

ISO15003 (Over voltage. Reverse polarity, short circuit)

EMC

ISO14982:1998 (Radiated emission)

ISO14982:1998 (Radiated immunity)

ISO11452-2:1995 (Far field test 50 V/m)

ISO11452-4:2001 (BCI test 100 mA)

ISO7637-2:2004 (Conducted transients level 3)

ISO10605:2001 (ESD +-8 kV)

Mechanical environment

IEC60068-64:1993 Fh

(ISO15003 5.6.1 level 1, 24 hours/axis)

IEC60068-2-27:1987 Ea

(Mechanical shock +-400 m/s² 6 ms, 100 pulses/axis)

Climate environment

IEC60068-2-1 (Cold)

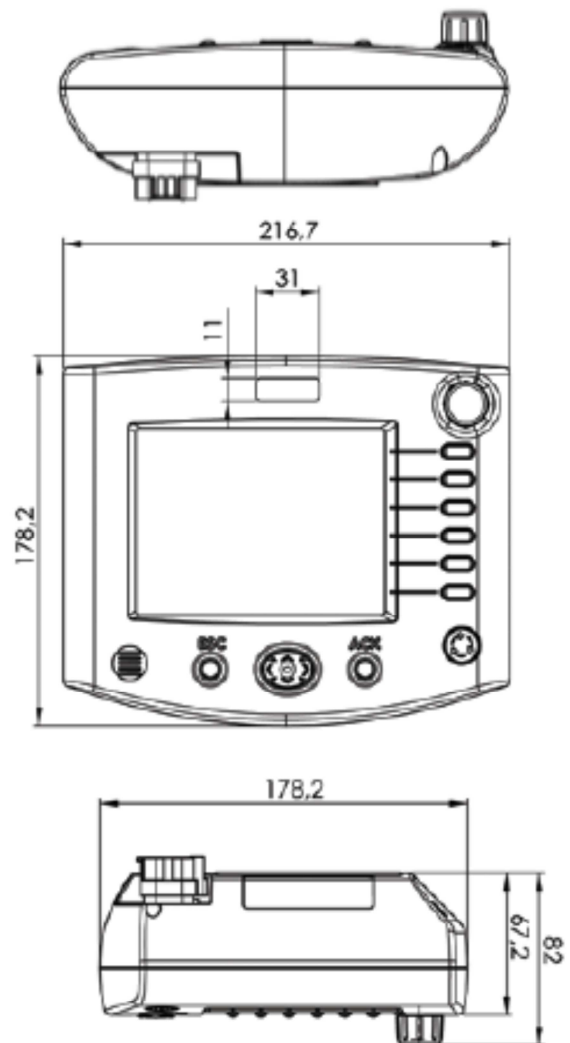
IEC60068-2-2 (Dry Heat)

IEC60068-2-14 Na (Temp shock)

IEC60068-2-14 Nb (Change of temp gradient)

IEC60068-2-30:1985 Db (Damp Heat cyclic var 2)

IEC60529:2001 IP54 (Water and dust test)



unit = mm

Technical Information

ISOBUS-VT Displays

Application

The ISOBUS-VT is an entry-level ISO standard virtual terminal for use with a wide range of agricultural machinery.

The ISOBUS-VT is the primary man/machine interface for any ISO 11783 compatible system, enabling an operator to control auxiliary equipment from a central unit via a suitable network interconnection unit, regardless of manufacturer.

ISOBUS-VT offers optimized software based on ISOBUS standard.

The ISOBUS-VT is intended for vehicle use only.

Design and function

The ISOBUS-VT has a 5.7" anti-glare TFT color display, giving wide viewing angle. The unit has also internal buzzer and real time clock.

The terminal unit is housed in a rugged ergonomic light grey enclosure. Equipment selection, setup and monitoring is made quick and simple by means of a sequence of front mounted and backlit soft keys, a multipurpose rotary encoder, working set selection and arrow function keys.

The unit is designed to be easily mounted in a vehicle cabin with VESA 75 mounting method, and optionally with RAM mounting system. The unit has one sealed AMP Superseal (PN 1437288-6) 26 position connector.

The ISOBUS-VT is made using selected components and conforms to strict international requirements.

Specifications

General

Weight	1100 g
Temperature range	
Operating, ambient	-25°C to +70°C
Storage, ambient	-25°C to +70°C
Protection	IP54
Voltage supply	12 V (11 V to 16 V)

Performance

Processor	Infineon XC161 @ 40 MHz
Flash size	4 MB
RAM size	1.5 MB
EEPROM size	2 kB

Communication interfaces

CAN (J1939 compliant)	1
RS-232	1

Inputs

Digital inputs	1 x keylock, 1 x boot loader activation
----------------	---

Software

Certified Isobus Virtual Terminal application according to ISO 11783 implementation level 2 (DLG, 2009 Conform)



Ordering part number

ISOBUS-VT	65LCCT02
-----------	----------