

PLAST-AX

Bulk Solutions

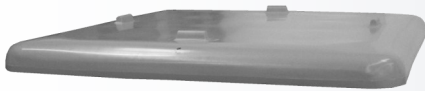
1000L Offal Bin

1000L

Height 1165mm H
Top 1165mm Sq
Base 880mm Sq

1300L & 1400L options available
FDA Approval

Tough polyethylene
(10mm wall thickness)
Single or double skin Lid options



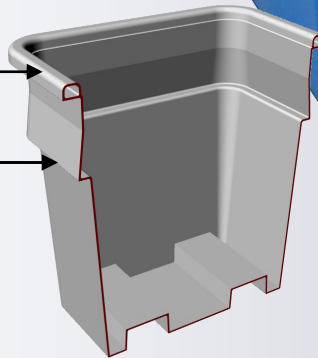
mould in graphics
(company & numbering options)

Box section top rim
(no cut edge to crack from)
4 moulded holes in top rim for
MAF seals to connect with lid

Continuous nesting rim
(less side wall flex & increased
strength)

65mm drain bung
(Flush with outside surface)

Galv steel fork insert option



Plast-ax provides solutions for its clients' needs with design assistance and excellence in manufacturing of plastic and composite products. We aim to get it right first time, every time.

PLAST-AX

Ph: 0800 788 780 Fax: 06 344 8498

Email: sales@plast-ax.co.nz

Web: www.plast-ax.co.nz

4 Leamington St, Box 2040 Wanganui, New Zealand.

